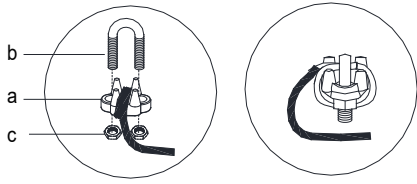
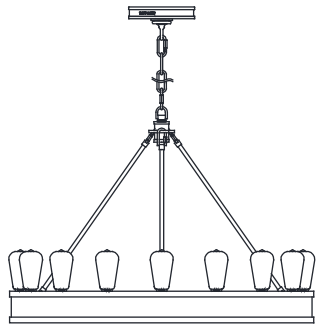


ASSEMBLY INSTRUCTIONS

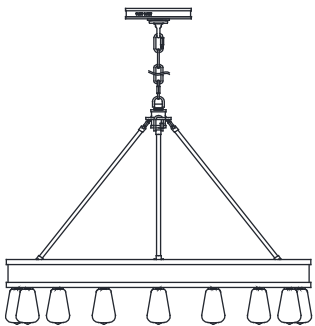


Install safety cable:

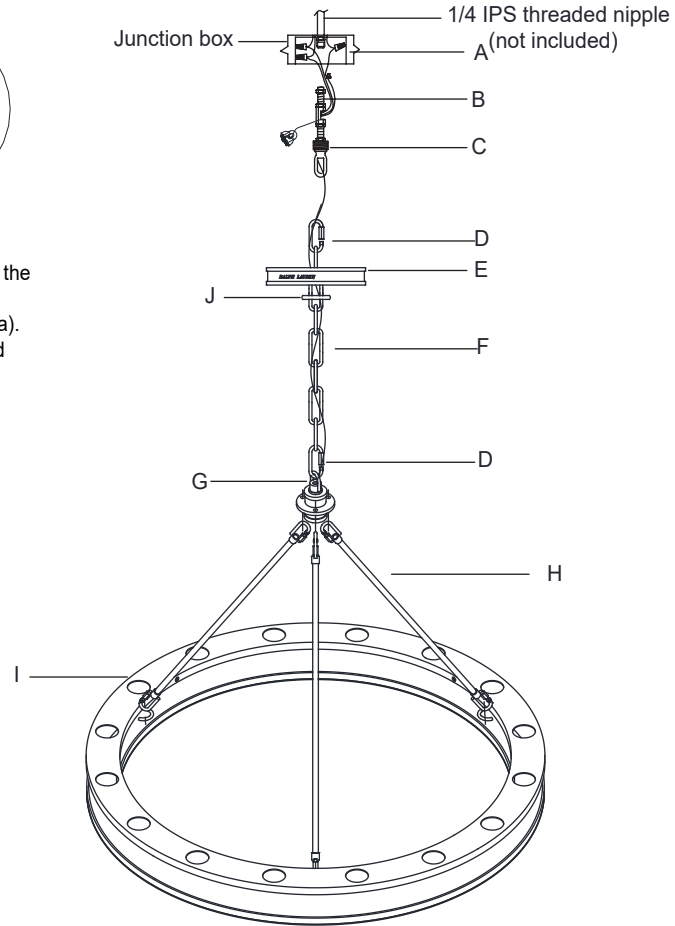
1. Wrap the safety cable into the slot hole on the mounting plate (A).
2. Wrap the safety cable around the saddle (a).
3. Insert U-bolt clip (b) into the saddle (a) and secure with the nuts (c).



Option 1



Option 2



Roark 30" Modular Ring Chandelier

Item # RL 5131

WE RECOMMEND INSTALLATION OF THIS LIGHTING FIXTURE BE DONE BY A LICENSED ELECTRICIAN.

WARNING*SWITCH OFF THE MAIN ELECTRICAL SUPPLY FROM THE MAIN FUSE BOX/CIRCUIT BREAKER BEFORE INSTALLATION.**

INSPECT ITEM CAREFULLY BEFORE ATTEMPTING TO INSTALL. IF THERE IS ANY DAMAGE OR OBVIOUS DEFECT. DO NOT INSTALL.

ITEM MAY NOT BE RETURNED ONCE IT HAS BEEN INSTALLED.

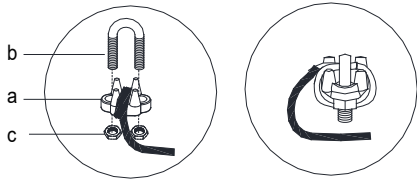
NOTE: CAREFULLY UNPACK EACH PIECE IN TOP LAYER OF PACKING PRIOR TO REMOVING. RETAIN ALL PACKING MATERIAL UNTIL INSPECTION AND INSTALLATION ARE FINAL.

1. Carefully remove all parts from the box.
2. Remove the collar loop (C) from the chain (G) by unscrewing the quick link (D).
3. A 1/4 IPS PIPE must be installed through the junction box and secured to a structural member of the building. This item must hang independently of the junction box. Then install the threaded nipple (B) into the 1/4 IPS PIPE.
4. Install the canopy (E) to the collar loop (C) and secure with collar ring (J). If needed, adjust collar loop (C) height by loosening hex nuts and screwing collar loop (C) up or down the re-secure.
5. Open the quick links on hanging rods (H), attach the hanging rods (H) to the bottom hooks on the hanging loop (G) and the fixture body (I). Secure the quick links on hanging rods (H). PLEASE NOTE: FIXTURE CAN BE INSTALLED WITH BULBS UP OR DOWN.
6. With the fixture dimension as a guide, shorten the chain (F) as needed using the chain pliers (not included).
7. Open the chain quick link (D), then attach the chain quick link (D) to the collar loop (C). Secure the chain quick link (D).
8. Open chain quick link (D) from the opposite side then attach to the hanging loop (G). Secure the chain quick link (D).
9. Weave the fixture wires through the chain (F).
10. When you reach the canopy (E) and collar loop (C), measure the wires then cut, be certain to leave enough length to connect the wires in the junction box.
11. Strip the insulation on the fixture wires about 5/8".
12. Loosen the collar ring (J) and let the canopy (E) slip down the chain (F) carefully.
13. Connect the safety cables as shown in diagram.

R A L P H L A U R E N

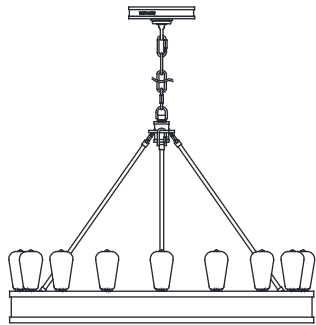


ASSEMBLY INSTRUCTIONS

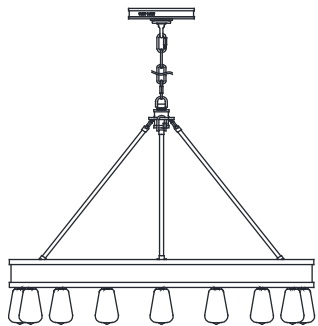


Install safety cable:

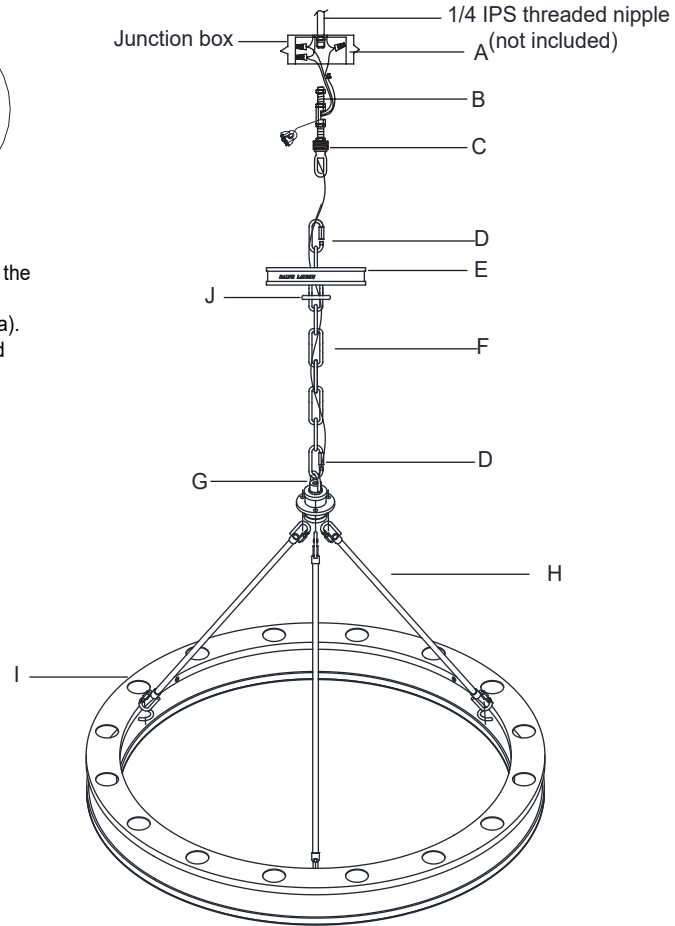
1. Wrap the safety cable into the slot hole on the mounting plate (A).
2. Wrap the safety cable around the saddle (a).
3. Insert U-bolt clip (b) into the saddle (a) and secure with the nuts (c).



Option 1



Option 2



Roark 30" Modular Ring Chandelier

Item # RL 5131

WE RECOMMEND INSTALLATION OF THIS LIGHTING FIXTURE BE DONE BY A LICENSED ELECTRICIAN.

WARNING*SWITCH OFF THE MAIN ELECTRICAL SUPPLY FROM THE MAIN FUSE BOX/CIRCUIT BREAKER BEFORE INSTALLATION.**

INSPECT ITEM CAREFULLY BEFORE ATTEMPTING TO INSTALL. IF THERE IS ANY DAMAGE OR OBVIOUS DEFECT. DO NOT INSTALL.

ITEM MAY NOT BE RETURNED ONCE IT HAS BEEN INSTALLED.

NOTE: CAREFULLY UNPACK EACH PIECE IN TOP LAYER OF PACKING PRIOR TO REMOVING. RETAIN ALL PACKING MATERIAL UNTIL INSPECTION AND INSTALLATION ARE FINAL.

14. Twist the fixture wires together and push through the center hole of the collar loop (C).
15. Connect the fixture ground wire to the ground wire in the junction box using the wire nut (A). IT IS IMPERATIVE THAT THIS FIXTURE BE GROUNDED.
16. Connect the fixture ribbed wire (no marking) to the neutral wire in the junction box using the wire nut (A)..
17. Connect the fixture smooth wire (with marking) to the hot wire in the junction box using the wire nut (A).
DO NOT REVERSE THE HOT AND NEUTRAL CONNECTIONS OTHERWISE SAFETY WILL BE COMPROMISED
18. Carefully tuck the wire connections into the junction box.
19. Install the canopy (E) to the collar loop (C) and secure with the collar ring (J).
20. Installation is complete, turn on power at fuse or circuit breaker.

***Clean with a dry, soft cloth only. Use no harsh abrasives or chemical agents.

RALPH LAUREN

