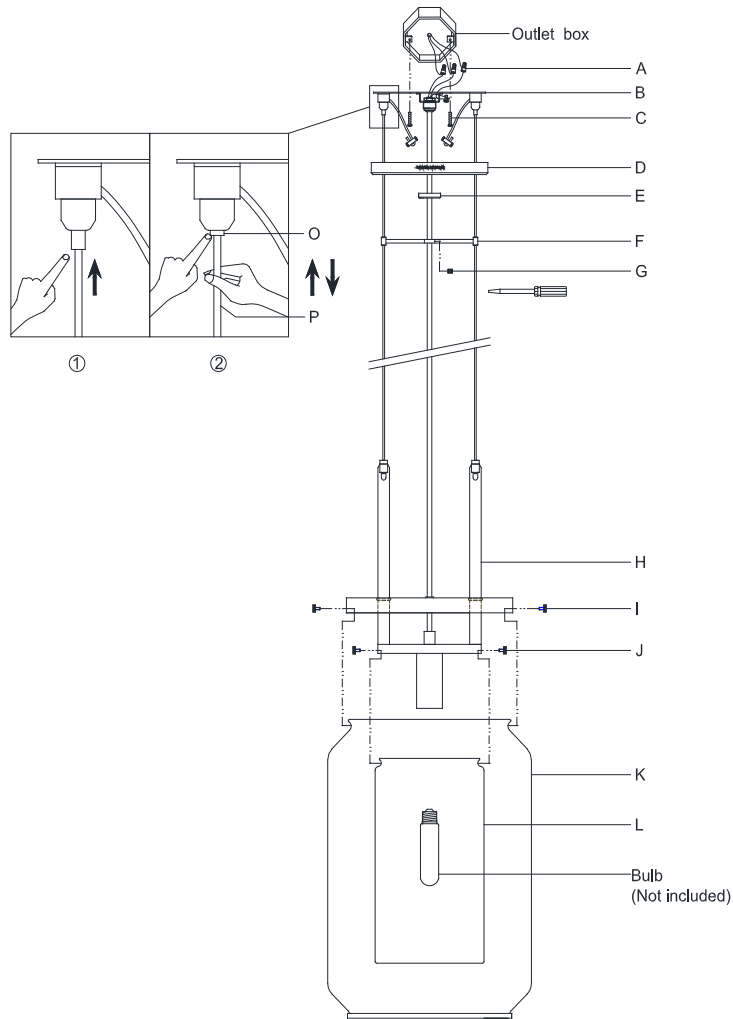


ASSEMBLY INSTRUCTIONS



Upton Large Hanging Lantern

Item # RL 5156

WE RECOMMEND INSTALLATION OF THIS LIGHTING FIXTURE BE DONE BY A LICENSED ELECTRICIAN.

WARNING*SWITCH OFF THE MAIN ELECTRICAL SUPPLY FROM THE MAIN FUSE BOX/CIRCUIT BREAKER BEFORE INSTALLATION.**

INSPECT ITEM CAREFULLY BEFORE ATTEMPTING TO INSTALL. IF THERE IS ANY DAMAGE OR OBVIOUS DEFECT. DO NOT INSTALL.

ITEM MAY NOT BE RETURNED ONCE IT HAS BEEN INSTALLED.

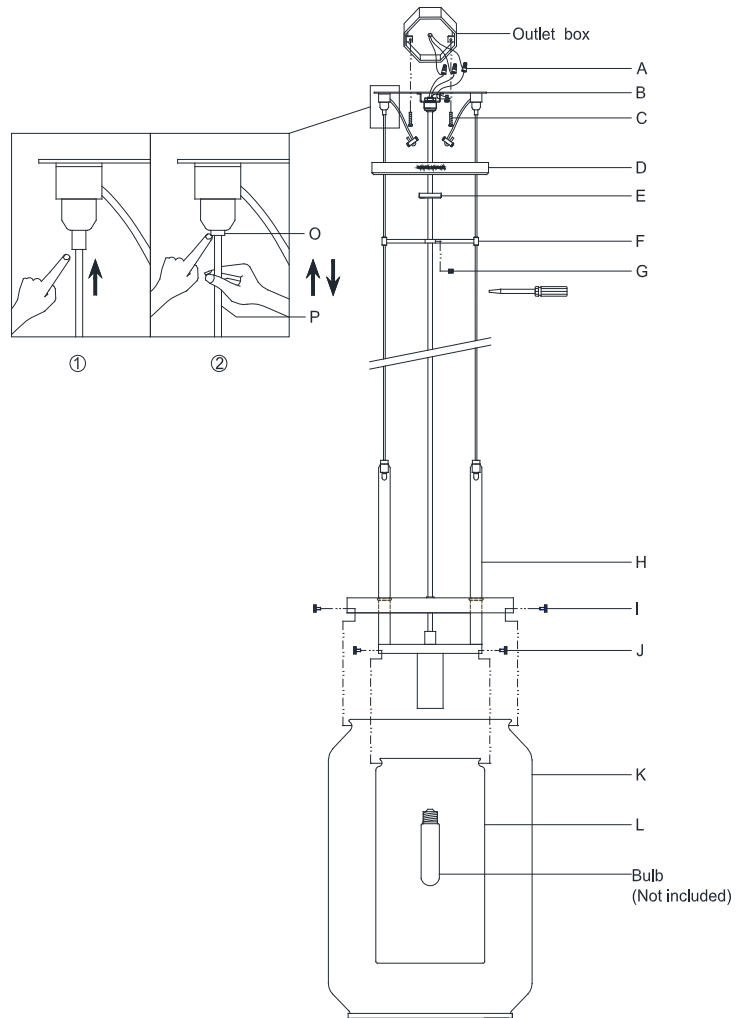
NOTE: CAREFULLY UNPACK EACH PIECE IN TOP LAYER OF PACKING PRIOR TO REMOVING. RETAIN ALL PACKING MATERIAL UNTIL INSPECTION AND INSTALLATION ARE FINAL.

1. Carefully remove all parts from the box.
2. Install the mounting plate (B) to the outlet box by mounting screws (C) provided.
3. Using the dimensions of the fixture as a guide, shorten the wire rope. You can press the flexible component (O), push the wire rope (P) into it, then loosen the flexible component (O).
4. Unwrap the wiring from the fixture body. Weave the power supply cord through the holder (F) and the lock collar (E) and the canopy (D) and the mounting plate (B).
5. When you reach the canopy, measure the wires and cut. Be certain to leave enough to connect inside of the canopy.
6. Connect the fixture ground (bare) wire with the ground wire from the outlet box using wire nut (A). If your house does not have ground wire, then attach this wire to the green grounding screw inside of the outlet box.
IT IS IMPERATIVE THAT THIS FIXTURE BE GROUNDED.
7. Connect the fixture Neutral wire (ribbed, no markings) with the neutral wire from the outlet box using wire nut (A).
8. Connect the fixture Hot (smooth edge, markings) wire with the hot wire from the outlet box using wire nut (A).
DO NOT REVERSE THE HOT AND NEUTRAL CONNECTIONS OR SAFETY WILL BE COMPROMISED.
9. Tuck these wire connections neatly into the outlet box to secure.
10. Put canopy (D) to the mounting plate (B) and secure with lock collar (E).



RALPH LAUREN

ASSEMBLY INSTRUCTIONS



Upton Large Hanging Lantern

Item # RL 5156

WE RECOMMEND INSTALLATION OF THIS LIGHTING FIXTURE BE DONE BY A LICENSED ELECTRICIAN.

WARNING*SWITCH OFF THE MAIN ELECTRICAL SUPPLY FROM THE MAIN FUSE BOX/CIRCUIT BREAKER BEFORE INSTALLATION.**

INSPECT ITEM CAREFULLY BEFORE ATTEMPTING TO INSTALL. IF THERE IS ANY DAMAGE OR OBVIOUS DEFECT. DO NOT INSTALL.

ITEM MAY NOT BE RETURNED ONCE IT HAS BEEN INSTALLED.

NOTE: CAREFULLY UNPACK EACH PIECE IN TOP LAYER OF PACKING PRIOR TO REMOVING. RETAIN ALL PACKING MATERIAL UNTIL INSPECTION AND INSTALLATION ARE FINAL.

11. Loosen the set screw (G) on the holder (F) by using the straight screwdriver provided.
12. Attach the holder (F) on the appropriate location and secure the set screw (G).
13. Attach the inner glass shade (L) to the fixture (H) and secure with screws (J).
14. Attach the outside glass shade (K) to the fixture (H) and secure with screws (I).
15. Insert bulb (not included) into the socket.
16. Installation is complete, turn on power at fuse or circuit breaker.

***Clean with a dry, soft cloth only. Use no harsh abrasives or chemical agents.



RALPH LAUREN