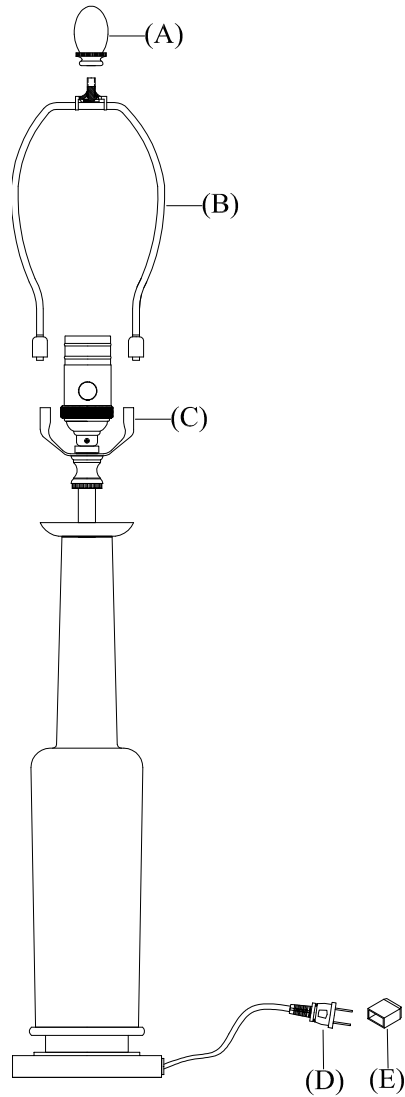


TOB3129

ASSEMBLY & INSTALLATION GUIDE

INSPECT ITEM CAREFULLY BEFORE ATTEMPTING TO INSTALL. IF THERE IS ANY DAMAGE OR OBVIOUS DEFECT, DO NOT INSTALL.

ITEM MAY NOT BE RETURNED ONCE IT HAS BEEN INSTALLED.



1. Insert harp (B) into harp saddle (C) by squeezing both sides of the harp.
2. Remove finial (A) from harp (B). Place lamp shade (not included) over the bolt attached on top of harp (B), screw finial (A) onto the bolt to secure lamp shade to the harp.
3. Insert light bulb into socket.
4. Remove plastic cover (E) from electrical plug (D).
5. Plug lamp into electrical outlet.